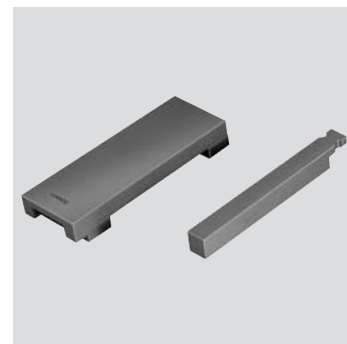
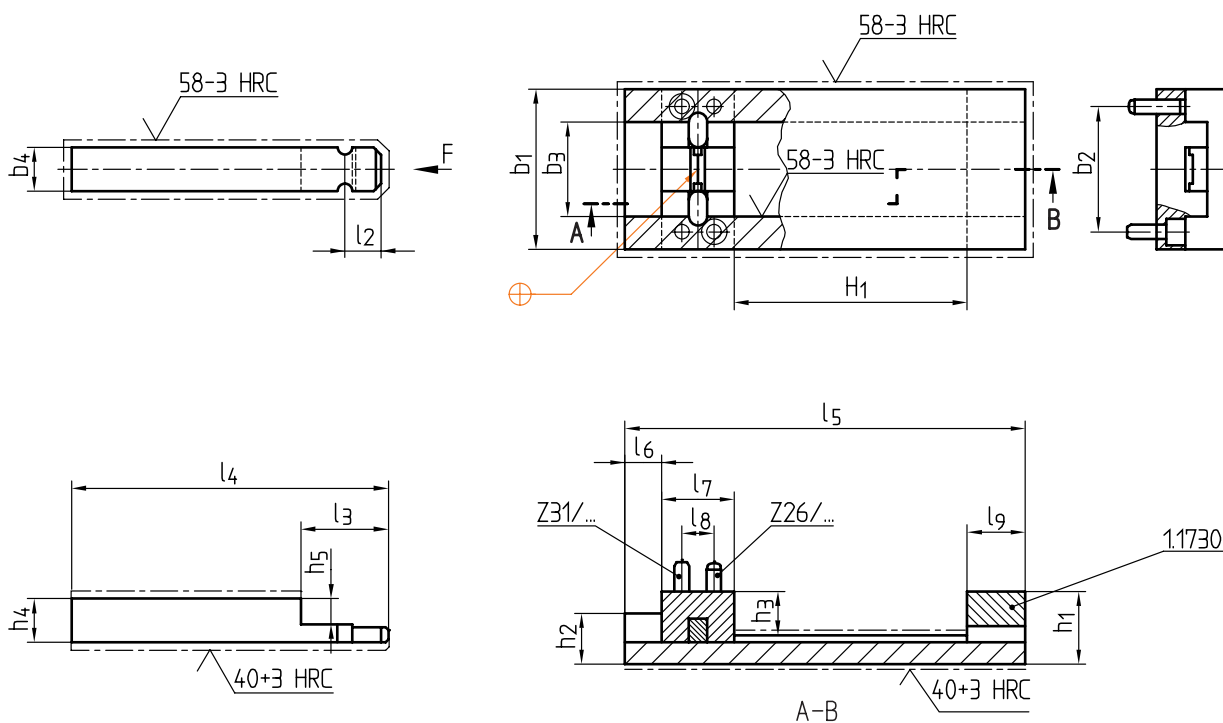
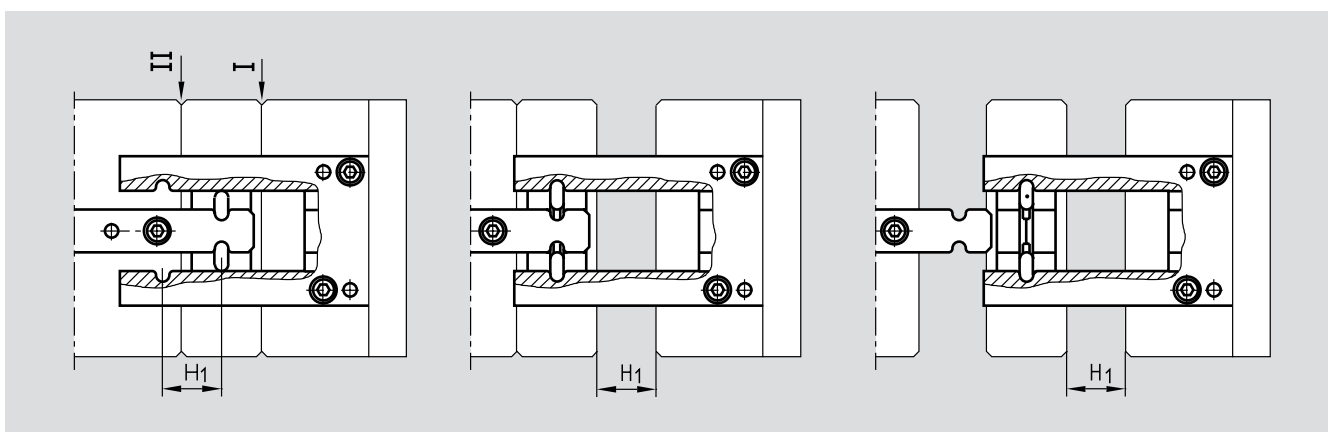


Z174/...

Mat.: 1.2767



► Info



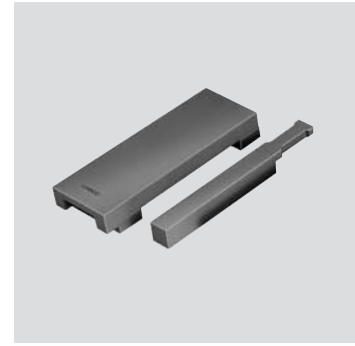
H = Hub / Stroke / Course

F[N]	Z26	Z31	h <sub>5</sub>	h <sub>4</sub>	h <sub>3</sub>	h <sub>2</sub>	h <sub>1</sub>	b <sub>4</sub>	b <sub>3</sub>	b <sub>2</sub>	l <sub>9</sub>	l <sub>8</sub>	l <sub>7</sub>	l <sub>6</sub>	l <sub>5</sub>	l <sub>4</sub>	l <sub>3</sub>	l <sub>2</sub>	H <sub>1</sub>		b <sub>1</sub>	Nr./No.
																			min.	max.		
16000	6x20	M4x12	10	16	9,3	16	22,3	15	30,05	40	20	10	20	10	140	140	20	9,75	4	90	<b>50</b>	Z174/ 50
27000	6x20	M6x16	13	21	12,3	22	30,3	20	45,05	60	34	16	34	15	200	200	34	16,75	5,5	117	<b>80</b>	80
48000	8x24	M8x18	16	27	15,5	27	37,5	25	60,05	80	45	22	45	15	250	250	45	22,25	7	145	<b>100</b>	100

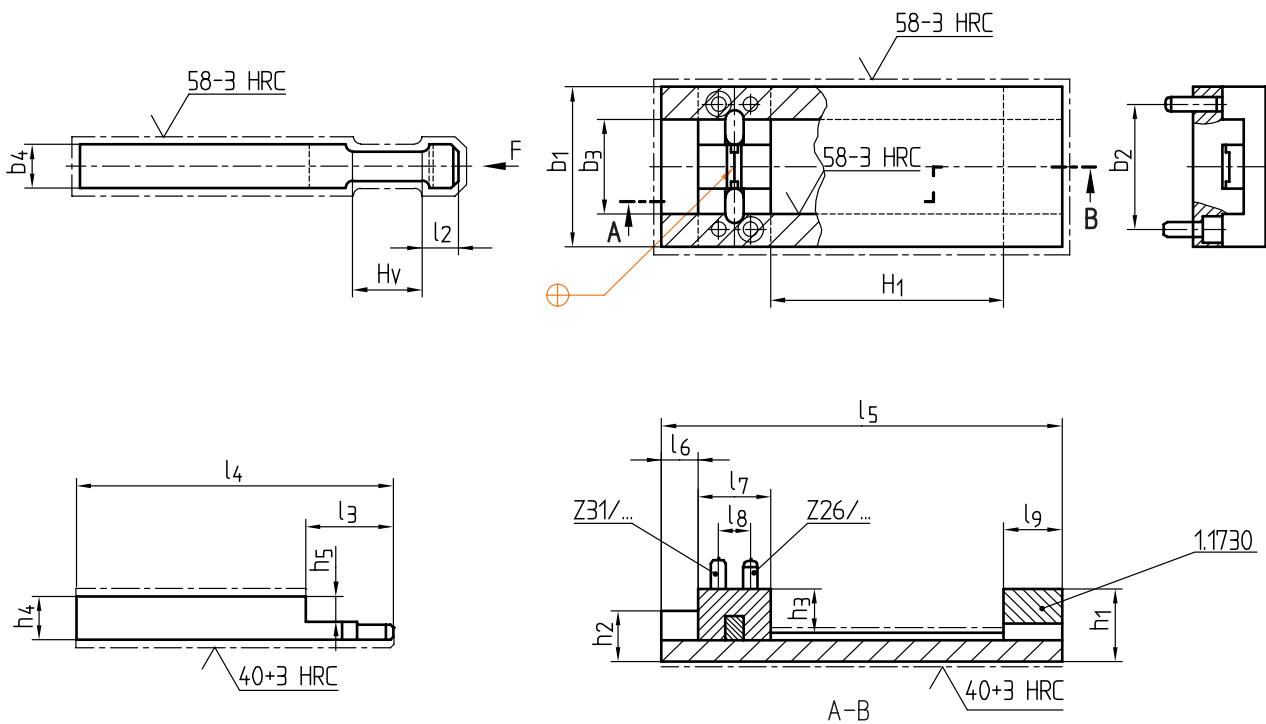
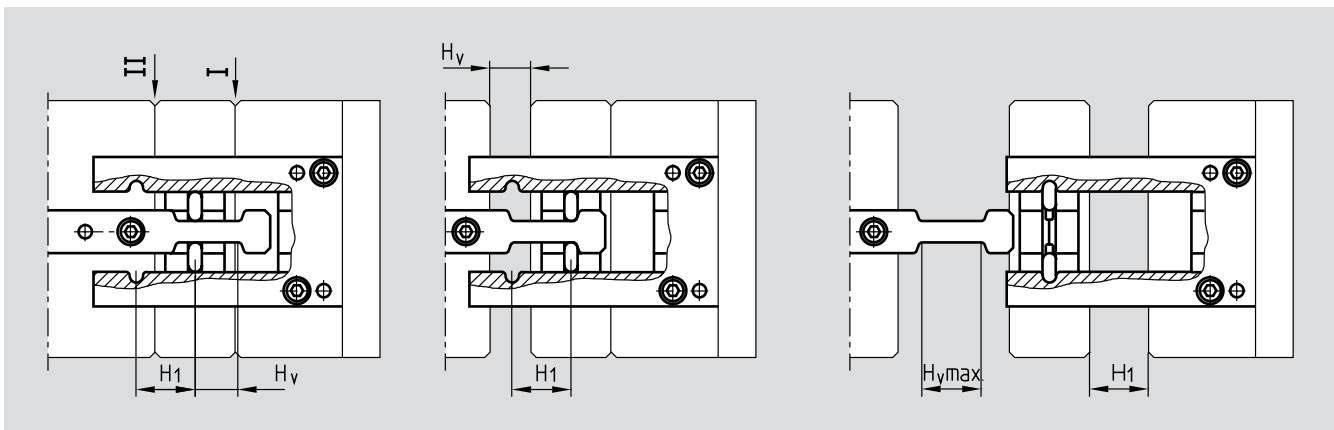
This is trial version  
www.adultpdf.com

Z174/.../H<sub>v</sub>

Mat.: 1.2767



Info



H = Hub / Stroke / Course

F [N]	Z26	Z31	h <sub>5</sub>	h <sub>4</sub>	h <sub>3</sub>	h <sub>2</sub>	h <sub>1</sub>	b <sub>4</sub>	b <sub>3</sub>	b <sub>2</sub>	l <sub>9</sub>	l <sub>8</sub>	l <sub>7</sub>	l <sub>6</sub>	l <sub>5</sub>	l <sub>4</sub>	l <sub>3</sub>	l <sub>2</sub>	H <sub>1</sub> min.	H <sub>1</sub> max.	b <sub>1</sub>	H <sub>v</sub>	Nr./No.
16000	6x20	M4x12	10	16	9,3	16	22,3	15	30,05	40	20	10	20	10	140	140	40	9,75	4	90	50	20	Z174/ 50/20
27000	6x20	M6x16	13	21	12,3	22	30,3	20	45,05	60	34	16	34	15	200	200	66	16,75	5,5	117	80	32	80/32
48000	8x24	M8x18	16	27	15,5	27	37,5	25	60,05	80	45	22	45	15	250	250	95	22,25	7	145	100	50	100/50

This is trial version  
www.adultpdf.com